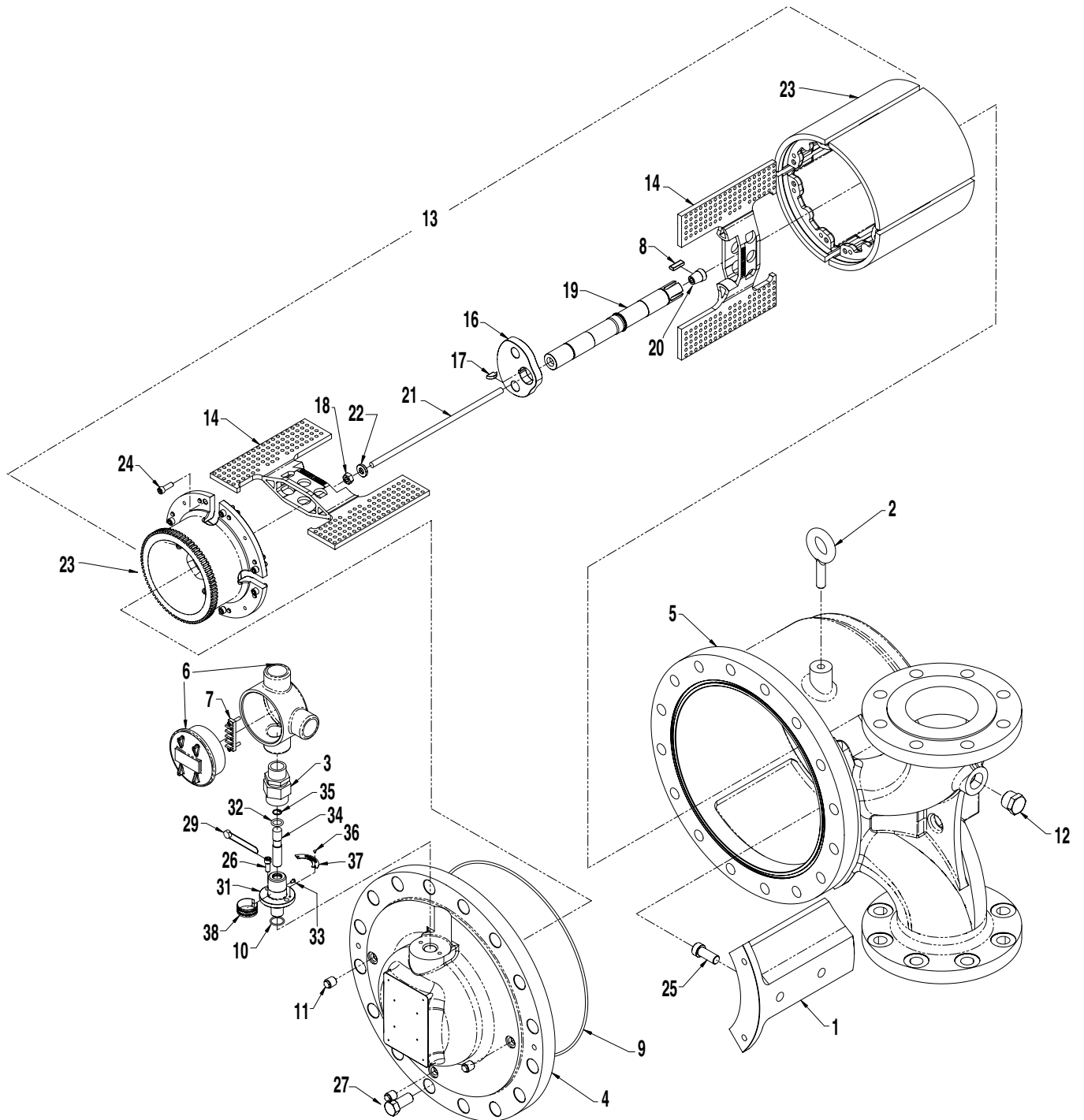


Meter, PD, PRIME 4

Bulletin P001014 Issue/Rev. 0.2 (4/15)



Item	Description	Quantity	Part Number	
			Current	Prior to Aug. 1997
1	Block	1	554027-001	554027-001
2	Bolt, Eye	1	644974-403	644974-403
3	Conduit Union (Non-expandable)	1	641402-404	-----
4	Cover, Meter	1	573922-091	553943-002
5	Housing, Meter	1	573921-013	553935-002
6	Junction Box Assembly	1	554023-002	554022-001
7	Terminal Block	1	644125-401	644125-401
8	Key (Replaces Dowel Pin)	1	554292-001	-----
9	+ O-Ring, Cover:			
	Buna-N	1	641069-462	641069-462
	Viton	1	640894-447	640894-447
	Low Swell Buna	1	641069-464	-----
10	O-Ring, Sensor:			
	Buna-N	1	640798-419	640798-419
	Viton	1	640798-417	640798-417
	Low Swell Buna	1	640798-425	-----
11	Plug, Pipe, 1/4 NPT	3	002407-402	002407-402
12	Plug, Pipe, 3/4 NPT	1	006878-002	006878-002
13	R Rotor and Blade Assembly	1	554107-002	554107-001
14	Blade	2	554015-001	554015-001
15	* Cam and Shaft Assembly	1	554030-002	554030-001
16	Cam	1	554093-001	554093-001
17	Key	1	554028-001	554028-001
18	Nut	1	642148-415	642148-415
19	Shaft	1	554133-001	554133-001
20	Shaft Cone	1	554025-002	-----
21	Tie Rod	1	553945-001	553945-001
22	Washer	1	642514-401	642514-401
23	Rotor	1	553949-001	553949-001
24	Screw, Cover to Rotor	8	646177-403	646177-403
25	Screw, Block, .500-13 x 1-1/4	2	646177-404	646177-404
26	Screw, Cap (drilled w/cross-hole)	2	641069-401	641069-401
27	Screw, Cover, M20 x 2.5 x 4.5mm	16	646229-401	-----
28	* Screw, Terminal Block	4	009880-400	644633-401
29	Seal, Lead and Wire	2	001627-400	001627-400
30	* Sensor Assembly:			
	Single Pulse	1	554571-001	554571-001
	Dual Pulse	1	554571-002	554571-002
31	R Housing, Pulse Sensor	1	554570-001	-----
32	O-Ring	1	641276-403	-----

Item	Description	Quantity	Part Number	
33	Plug, Pipe, .06 NPT	1	640689-001	-----
34	Pulse Pick-Up Sensor:			
	Single Pulse	1	646592-402	-----
	Dual Pulse	1	646596-402	-----
35	Ring, Sensor Retaining	1	646016-402	-----
36	Screw, Drive	2	009880-400	-----
37	Tag, Caution	1	554111-001	-----
38	Tag, Caution	1	554111-002	-----
	+ Recommended Stock			
	* Not Illustrated			
	R Indicates change from last revision			

Technical Support

Contact Information:

Field Service Response Center

24/7 Technical Support/Schedule

a Technician: 1-844-203-4014

System Installation Supervision,

Start-Up, Training, and

Commissioning Services Available

The specifications contained herein are subject to change without notice and any user of said specifications should verify from the manufacturer that the specifications are currently in effect. Otherwise, the manufacturer assumes no responsibility for the use of specifications which may have been changed and are no longer in effect.

USA Operation
1602 Wagner Avenue
Erie, Pennsylvania 16510 USA
P:+1 814.898.5000

Germany Operation
Smith Meter GmbH
Regentstrasse 1
25474 Ellerbek, Germany
P:+49 4101 304.0