

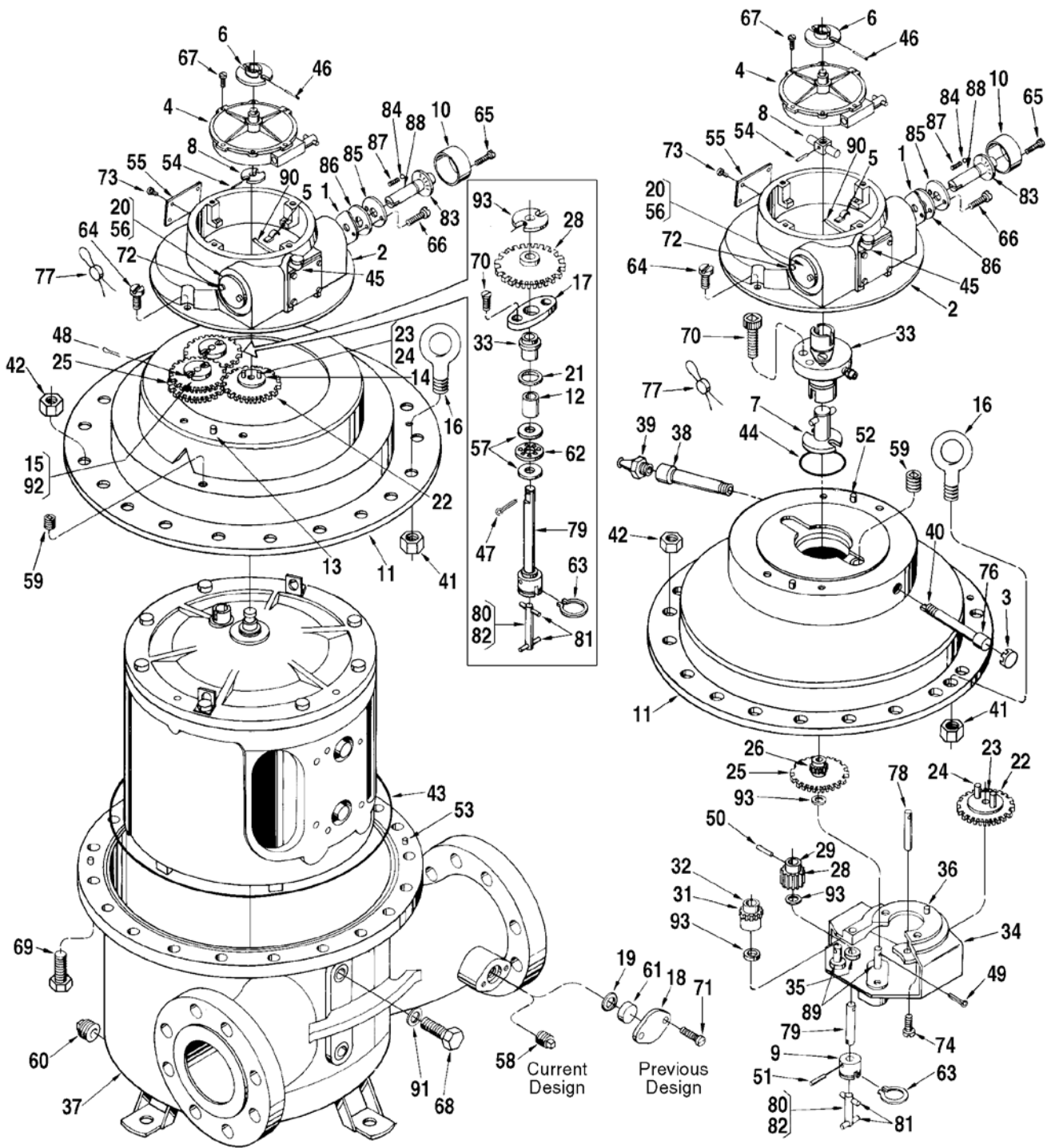
Meter, PD Series G6-A1, S1, A3, S3, S5, S6, S7

Parts List Bulletin PO01009 || Issue/Rev 0.1 (6/13)



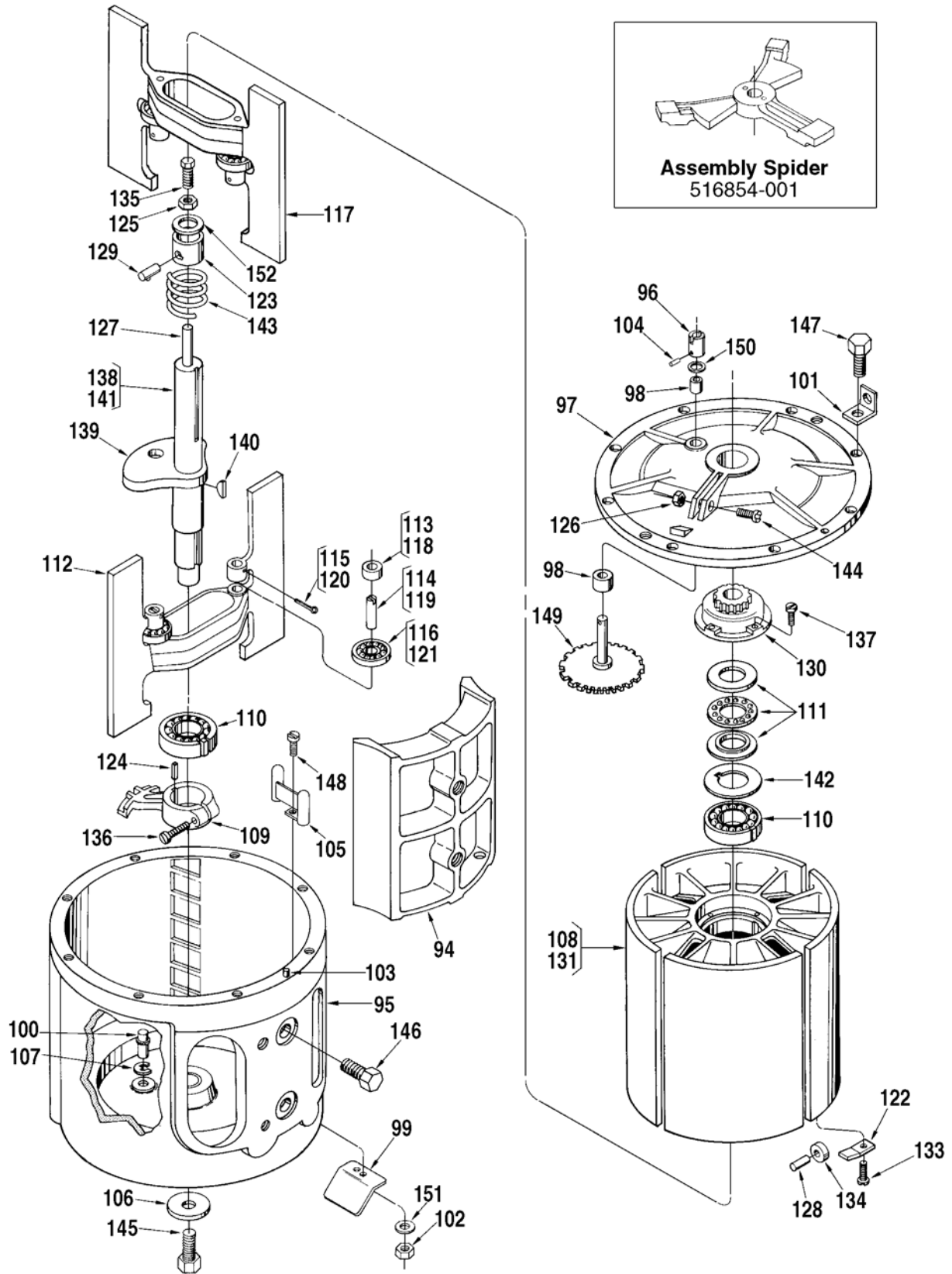
A1, S1

A3, S3, S5, S6, S7



Note: S6 and S7 covers not shown. Flat plate design implemented.

Inner Mechanism



Item	Description	Qty.	G6-A3		
			G6-A1, S1	S3, S5	G6-S6, S7
1	Adapter, Calibrator Adjusting Stem	1	512372-001	512372-001	512372-001
2	Adapter, Counter	1	511946-001	511946-001	515755-001
3	Blank, Snap In	1	015533-401
4	@1+ Calibrator:				
	Standard	1	512059-001	512059-001	512059-001
	Temperature Corrected.....	1	512060-001	512060-001	512060-001
	@2 Temperature Corrected, Special				
	Temp. or API	1	516130-xxx	516130-xxx	516130-xxx
	Dummy Calibrator.....	1	516105-001	516105-001	516105-001
5	Clamp, Oil Tube.....	1	003905-001	003905-001	003905-001
6	+ Coupling, Drive	1	072103-001	072103-001	072103-001
7	Coupling, Drive:				
	S6	1	518321-002
	S7	1	518321-005
8	Coupling, Input	1	014356-001	003821-001	005969-001
9	Coupling, Jackshaft	1	514633-001	514633-001
10	Cover, Knob.....	1	003553-001	003553-001	003553-001
11	Cover, Outer Housing:				
	S7 Standard.....	1	515879-091
	R All Others Standard	1	512308-091	513313-091	515878-001
	S1, S3, S7 PTFE ¹	1	512308-099	513313-099	515879-099
	S7 NACE	1	515879-091
	R All Others NACE.....	1	551724-001	551475-001	515878-001
12	Bushing	1	519882-002
13	Pin, Groove 3/16 x 3/8"	2	641007-401
14	Shaft, Calibrator Drive Gear.....	1	003775-001
15	Shaft, Idler Pinion:				
	Barrel Gearing.....	1	512324-001
	All Others	1	512077-001
16	Eyebolt	2	644974-403	644974-401	643877-401
17	Flange, Packing Gland	1	010171-001
18	Flange, Temperature Well Plug	1	011941-001	011941-001	012026-001
19	Gasket, Temperature Well	1	060341-001	060341-001	060341-001
20	Gasket, Cover Plate	1	003834-001	003834-001	003834-001
21	+ Gasket, Packing Gland.....	1	010173-001
22	@3 Gear, Calibrator Drive:				
	U.S. Barrels	1	516538-001	514379-001	514379-001
	U.S. Barrels, LPG	1	515110-001	515110-001
	U.S. Gallons	1	008248-001	517539-001
	U.S. Gallons, LPG	1	008248-001
	Imperial Gallons.....	1	514778-001	514778-001	514778-001
	Imperial Gallons, LPG	1	514778-001	515115-001	515115-001
	Dekalitres.....	1	514779-001	514779-001	514779-001
	Dekalitres, LPG	1	514779-001	515117-001	515117-001
23	Bushing:				
	Standard	2	013372-001	013372-001	013372-001
	LPG.....	1	504653-001	504653-001	504653-001
24	Pin	2	003325-001	003325-001	003325-001
25	@3 Gear, Intermediate Pinion:				
	U.S. Barrels	1	516536-001	514373-001	514373-001
	U.S. Barrels, LPG	1	515109-001	515109-001
	U.S. Gallons	1	512313-001	519596-001
	U.S. Gallons, LPG	1	512313-001
	Imperial Gallons.....	1	516503-001	514775-001	514775-001
	Imperial Gallons, LPG	1	516503-001	515114-001	515114-001
	Dekalitres.....	1	516539-001	514776-001	514776-001
	Dekalitres, LPG	1	516539-001	515116-001	515116-001
26	Bushing, LPG Gears Only.....	1	504653-001	504653-001

1 Polytetrafluoroethylene (PTFE).

Item	Description	Qty.	G6-A3		
			G6-A1, S1	S3, S5	G6-S6, S7
27	* Pin	2	001126-001
28	@3 Gear, Jackshaft Pinion:				
	U.S. Barrels	1	516534-001	514374-001	514374-001
	U.S. Barrels, LPG	1	515107-001	515107-001
	U.S. Gallons, All.....	1	512314-001	514777-001
	Imperial Gallons.....	1	512314-001	514777-001	514777-001
	Imperial Gallons, LPG	1	512314-001	515111-001	515111-001
	Dekalitres.....	1	512314-001	514777-001	514777-001
	Dekalitres, LPG	1	512314-001	515111-001	515111-001
29	Bushing, LPG Gears Only.....	1	504653-001	504653-001
30	* Pin	2	001126-001
31	@3 Gear, Reversing Pinion:				
	U.S. Barrels	1	514376-001	514376-001
	U.S. Barrels, LPG	1	515108-001	515108-001
32	Bushing, LPG Gears Only.....	1	504653-001	504653-001
33	+@4 Gland, Packing:				
	Buna-N	1	518630-001	513644-001	515849-001
	Viton	1	518630-002
	PTFE ¹	1	009535-001	513644-002	515849-002
	Brass, Viton for Non Ferrous Use...	1	008934-001	513644-001
	NACE, with Buna Elastomer.....	1	551728-001	551178-001	515849-001
	NACE, with PTFE ¹ Elastomer.....	1	513644-002	515849-002
34	Housing, Gear:				
	Standard and All Iron	1	514622-001	514622-001
	LPG	1	514622-002	514622-002
35	Bushing:				
	Standard and All Iron	1	519882-001	519882-001
	LPG.....	1	512796-001	512796-001
36	Dowel.....	1	003628-001	003628-001
37	Housing, Outer:				
	A1, A3, Standard	1	512242-001	512242-001
	S1, S3, S6 Standard.....	1	512646-001	512646-001	515874-001
	S5, S7 Standard	1	514214-001	515876-001
	S1, S3, S7 PTFE ¹	1	512646-099	512646-099	553087-099
	S1, S3, S6 NACE	1	551466-001	551466-001	515874-002
	S5, S7 NACE.....	1	514214-001	552731-001
38	Lubrication Assembly	1	514659-001
39	Fitting, Grease.....	1	006408-001
40	Nipple:				
	Standard	1	641111-404
	NACE	1	645185-401
41	Nut, Eyebolt, 1/2"-13	2	006399-002	006399-002
42	Nut, Outer Screw:				
	5/8"-11	24	642138-405	006309-400
	(S6) 3/4"-10	24	642138-406
	(S7) 1-1/8"-7	24	642138-408
43	+ O-Ring, Cover:				
	A1, S1, S3, S5, S6 Buna-N	1	512320-001	512320-001	515881-001
	S7 Buna-N	1	515882-001
	A1, S1, A3, S3, S5, S6 Viton	1	512320-002	512320-002	515881-002
	S7 Viton	1	515882-002
	PTFE ¹	1	645842-402	645842-402
44	+ O-Ring, Packing Gland:				
	Buna-N	1	640173-023	640888-001
	Viton	1	640894-403	640894-001
	PTFE ¹	1	645905-402	645905-403
45	Oiler	1	006588-001	006588-001	006588-001
46	Pin, Groove, Drive Coupling.....	1	006028-002	006028-002	006028-002

1 Polytetrafluoroethylene (PTFE).

Item	Description	Qty.	G6-A3		
			G6-A1, S1	S3, S5	G6-S6, S7
47	Pin, Cotter, 1/16 x 5/8".....	1	641042-401
48	Pin, Cotter, 1/16 x 1/2".....	2	001095-401
49	Pin, Cotter, 1/16 x 3/8".....	2	009825-400	009825-400
50	Pin, Groove, 1/16 x 1/2".....	1	006054-002	006054-002
51	Pin, Groove, 5/64 x 5/8".....	1	009593-400	009593-400
52	Pin, Groove, 3/16 x 3/8".....	2	641007-401
53	R Pin, Groove-Outer Cover.....	2	640985-401	640985-401	641719-401
54	Pin, Input Coupling.....	1	006053-002	006317-002	006053-002
55	Plate, Caution.....	1	006571-001	006571-001	006571-001
56	Plate, Cover.....	1	003440-001	003440-001	003440-001
57	+ Plate, Thrust Bearing:				
	Standard and All Iron.....	2	001111-001
	LPG.....	2	505664-001
58	Plug, Pipe, 1/2" NPT:				
	Standard.....	1	006505-002	006505-002	006505-002
	NACE.....	1	645242-402	645242-402	645242-402
59	Plug, Pipe:				
	Standard.....	1	006073-002	006393-002
	NACE.....	1	645242-405	645252-402
60	Plug, Pipe:				
	Standard.....	1	006878-002	006878-002	006482-002
	NACE.....	1	645242-403	645242-403	645242-404
61	Plug, Temperature Well.....	1	012025-001	012025-001	012025-001
62	+ Retainer, Ball:				
	Standard.....	1	070360-002
	All Iron.....	1	070360-001
63	Ring, Snap.....	1	512066-001	512066-001	512066-001
64	Screw, Adapter to Cover:				
	S7 Only.....	2	642019-414
	All Others.....	2	009563-400	065075-003	642019-416
65	Screw, #10-24 x 3/4", Drilled.....	2	006481-003	006481-003	006481-003
66	Screw, #10-32 x 7/8".....	2	640835-001	640835-001	640835-001
67	Screw, #6-32 x 5/16".....	2	006048-002	006048-002	006048-002
68	Screw, Cap, Inner-Mechanism:				
	Standard:				
	1/2-13 x 1-3/4".....	4	006169-002	006169-002
	1/2-13 x 2-1/4".....	4	640580-001
	NACE:				
	1/2-13 x 1-3/4".....	4	645182-401	645182-401
	1/2-13 x 2-1/4".....	4	645182-402
69	Screw, Cap, Outer Cover:				
	S7 Only.....	24	641610-408
	All Others.....	24	643700-401	642061-413	641068-407
70	Screw, Cap, Packing Gland:				
	#10-32 x 1/2".....	2	006764-002
	5/16-18 x 1-1/4".....	2	006511-002
	7/16-14 x 1-1/2".....	4	006410-002
71	Screw, Cap, Temperature Well				
	Flange.....	2	060133-002	009563-400	006409-002
72	Screw, #10-32 x 3/8".....	2	006045-002	006045-002	006045-002
73	Screw, Drive, #2 x 1/8".....	4	009880-400	009880-400	009880-400
74	Screw, 5/16-18 x 5/8".....	2	009813-400	009813-400
75	* Screw, Set, Gear Housing.....	1	009469-400	009469-400
76	Screw-On Cap:				
	Standard.....	1	641746-401
	NACE.....	1	645238-401
77	+ Seal, Lead and Wire.....	3	001627-400	001627-400	001627-400
78	Shaft, Calibrator Drive Gear.....	1	515341-001	515341-001
79	Shaft, Jack (Upper).....	1	512116-001	514634-002	514634-002

Item	Description	Qty.	G6-A3		
			G6-A1, S1	S3, S5	G6-S6, S7
80	Shaft, Link Assembly	1	512069-001	515346-001	515866-001
81	Pin	2	065217-402	065217-402	065217-402
82	Shaft	1	512068-002	512068-004	512068-005
83	Stem Assembly Adjusting	1	009838-001	009838-001	009838-001
84	Ball	2	006427-001	006427-001	006427-001
85	Plate, Base	1	003552-001	003552-001	003552-001
86	Plate, Retainer.....	1	003556-001	003556-001	003556-001
87	Spring, Knob.....	2	003557-001	003557-001	003557-001
88	Stem, Adjusting.....	1	003551-001	003551-001	003551-001
89	Stud, Gear Shaft.....	2	514370-001	514370-001
90	Tube, Oil	1	514658-001	514658-001	514658-001
91	Washer	4	065309-002	065309-002	533103-001
92	Washer, Idler Pinion Shaft.....	1	003599-001
93	Washer, Jackshaft:				
	A1 and S1.....	1	001125-001
	All Others.....	3	641985-402	641985-402

Inner Mechanism

Item	Description	Qty.	Part Number
94 @5	Block	1	516999-001
95	Body	1	512219-001
96	Coupling, Drive.....	1	512064-002
97	Cover Assembly Inner:		
	Standard and All Iron	1	516457-001
	LPG	1	512212-001
98 +	Bushing, Jackshaft:		
	Standard and All Iron	2	519882-001
	LPG	2	512796-001
99	Cover, Pitot.....	1	512719-001
100	Dowel, Locating Arm	1	512115-001
101	Lug, Lift	2	512002-001
102	Nut, Pitot Assembly, #10-32 Hex.....	2	001723-400
103	Pin, Groove, 3/16 x 3/4"	1	007900-400
104	Pin, Groove, 5/64 x 5/8"	1	009593-400
105	Pitot	1	072186-001
106	Plate	1	512714-001
107	Ring, Retaining.....	1	064150-001
108 @5+	Rotor and Blade Assembly:		
	Current Design:		
	Standard	1	517232-001
	All Iron	1	517232-002
	LPG.....	1	517232-003
	Previous Design	1	515707-001
109	Arm, Locating	1	511965-001
110 +	Bearing, Rotor:		
	Standard and All Iron.....	2	516110-001
	LPG	2	516110-002
111 +	Bearing, Thrust:		
	Standard and All Iron.....	1	006524-001
	LPG	1	505590-001
112	Blade Assembly Lower:		
	Standard.....	1	008820-001
	All Iron	1	009763-064
	LPG	1	505564-001

Item	Description	Qty.	Part Number
113	Bushing, Blade.....	2	003457-001
114	Pin, Blade Roller.....	2	003458-001
115	Pin, Cotter, 3/32 x 1".....	2	006308-001
116	+ Bearing, Blade:		
	Standard and All Iron:		
@6	Current Design	2	644888-401
	Previous Design	2	006476-001
	LPG:		
@6	Current Design	2	644412-411
	Previous Design	2	644412-404
117	Blade Assembly Upper:		
	Standard.....	1	008819-001
	All Iron	1	009763-064
	LPG	1	505566-001
118	Bushing, Blade.....	2	003457-001
119	Pin, Blade Roller.....	2	003458-001
120	Pin, Cotter, 3/32 x 1".....	2	006308-001
121	+ Bearing, Blade:		
	Standard and All Iron:		
@6	Current Design	2	644888-401
	Previous Design	2	006476-001
	LPG:		
@6	Current Design	2	644412-411
	Previous Design	2	644412-404
122	Clamp, Rotor Cover Roller.....	8	012502-001
123	Collar, Thrust Bearing	1	512268-001
124	Key.....	1	512715-001
125	Nut, Adjusting Screw.....	1	003527-001
126	Nut, 5/16"-18.....	1	009552-400
127	Pin, Adjusting Screw Extension	1	512270-001
128	Pin, Rotor Cover Roller.....	4	001939-001
129	Pin, Thrust Bearing Collar.....	1	008121-001
130	Plate, Rotor Gear	1	512318-001
131	Rotor Sub-Assembly:		
	Standard.....	1	008081-002
	LPG	1	008081-042
	Previous Design With Drilled Holes.....	1	008081-191
132	+* Dowel.....	9	001938-001
133	Screw, 5/16-18 x 1".....	8	060133-002
134	+ Roller, Rotor Cover:		
	Standard and All Iron.....	4	012501-001
	LPG	4	514752-001
135	Screw, Adjusting.....	1	003526-002
136	Screw, Locating Arm, 5/16-18 x 1-1/2".....	1	640994-401
137	Screw, Rotor Gear Plate, 1/4-20 x 3/4".....	6	005061-400
138	@5 Shaft and Cam Assembly.....	1	517001-001
139	@5+ Cam:		
	Current Design	1	517000-001
	Previous Design	1	003543-001
140	Key.....	1	006158-002
141	Shaft	1	511966-001
142	Spacer, Bearing	1	512271-001
143	+ Spring, Rotor	1	003567-002
144	Screw, 5/16-18 x 2".....	1	006664-002
145	Screw, Cam and Shaft Assembly, 3/8-16 x 1-1/4".....	1	641044-401
146	Screw, Cap (Block) 1/2-13 x 1-1/4"	2	006117-002

Item	Description	Qty.	Part Number
147	Screw, Inner Cover, 5/16-18 x 1"	8	006140-002
148	Screw, Pitot, #10-32 x 1-1/2"	2	009606-400
149	Shaft, Jack and Gear Assembly	1	512309-001
150	Washer, .750 O.D. x .265 I.D.	1	643249-401
151	Washer, #10 Shakeproof	2	642482-406
152	Washer, Special	1	065309-002

Inner Mechanism General Assembly Numbers

Standard.....	517002-091
All Iron	517002-092
LPG	517002-093

+ Recommended spares.

* Not illustrated.

R Indicates change since last revision.

@1 Note 1: See Form No. PO01026 for component parts to the dummy calibrator or Form No. PO01028 for component parts to standard and temperature-compensated calibrators.

@2 Note 2: When ordering, include product temperature range, specific or API gravity, API table used, and meter and gearing calibrator is to be used in conjunction with.

@3 Note 3: Only standard gearing is listed. For additional gearing combinations, see Gear Train Bulletin AB01023.

@4 Note 4: See Form No. PO01042 for component parts.

@5 Note 5: In 1973, a change in design was made to the block and cam of the six-inch meter. To ensure proper operation, a current style block must be used with a current style cam. Either current or previous style block can be used with previous style cam. The shaded area of the block outline below represents the dimensioning of the previous style.

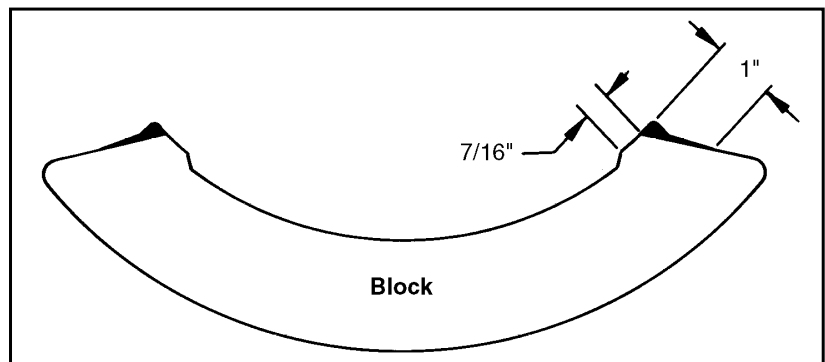
@6 Note 6: Use of current design bearing eliminates the need to use bushing (Items 113 and 118) which was required with previous design bearing.

@7 Note 7: Previous design LPG and All Iron Rotor and Blade Assemblies are not available as complete assemblies. Parts must be purchased separately.

Technical Support

Contact Information:

Field Service Response Center
 24/7 Technical Support/Schedule a
 Technician: 1-844-203-4014 System
 Installation Supervision, Start-Up,
 Training, and Commissioning
 Services Available



The specifications contained herein are subject to change without notice and any user of said specifications should verify from the manufacturer that the specifications are currently in effect. Otherwise, the manufacturer assumes no responsibility for the use of specifications which may have been changed and are no longer in effect.

USA Operation
 1602 Wagner Avenue
 Erie, Pennsylvania 16510 USA
 P:+1 814.898.5000

Germany Operation
 Smith Meter GmbH
 Regentstrasse 1
 25474 Ellerbek, Germany
 P:+49 4101 304.0