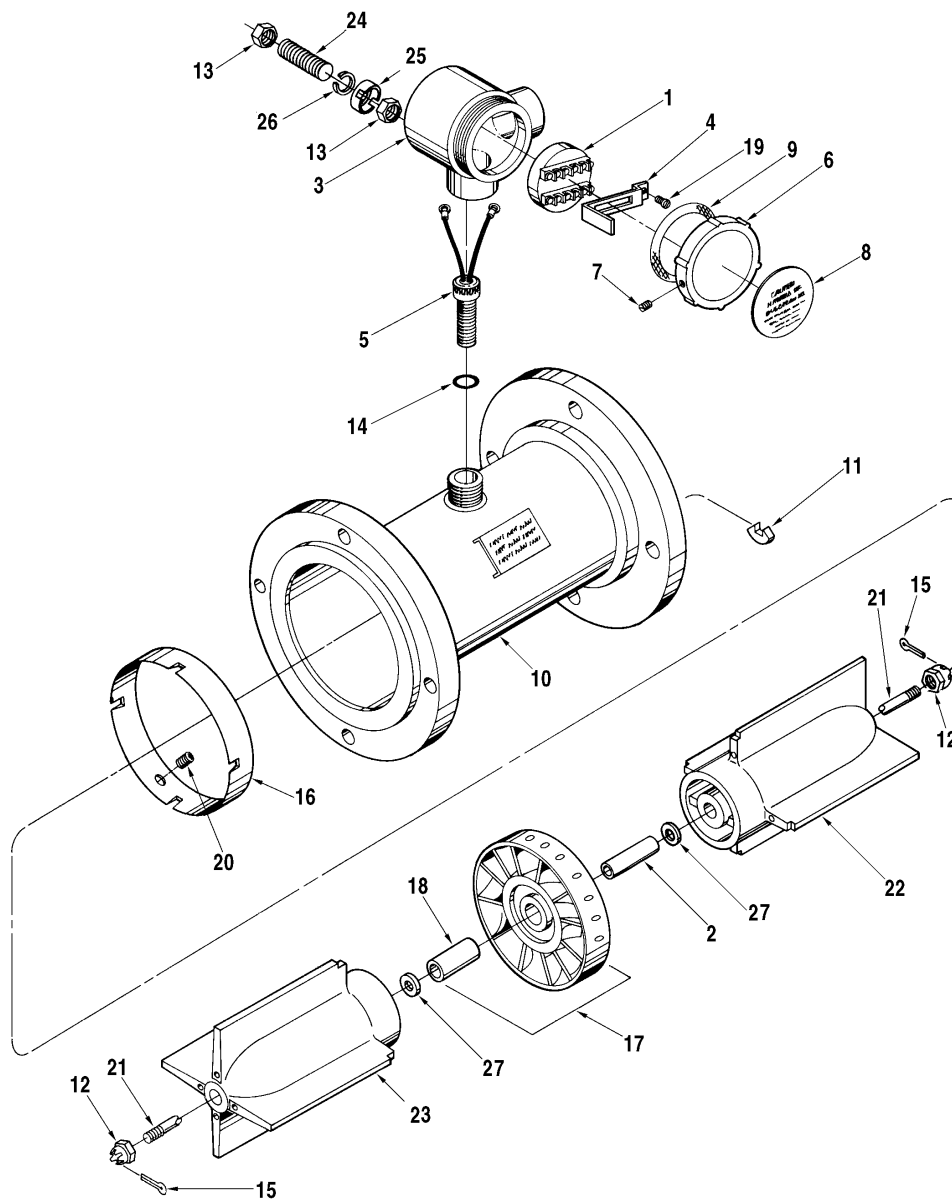


Models K2DH and K2DT 8" Sentry Series Turbine Meter

Bulletin PO02016 Issue/Rev. 0.1 (9/24)



For meters manufactured prior to August 1976, consult the factory.

Item	Note	Description	Quantity	Part Number
1	1	Preamplifier:		
	2	PA-2, 12 VDC, Dual-Channel		212012-101
	2	PA-4, 12 or 24 VDC, Single-Channel		230662-101
	2	PA-6, 12 to 24 VDC		230663-101
2	1	Bearing, Platform:		
		Standard	1	541454-213
3	2	Box, Conduit		543256-200
4		Clip, Retaining	1	543192-203
5	2	Coil, Pickup:		
	2	-100 to 225 °F		644327-401
	2	-100 to 400 °F (high temperature version)		Consult the Factory
	2	Mating connector with leads (high temperature version)		Consult the Factory
6		Cover, Conduit Box:		
	2	UL/CSA		543196-100
	2	ATEX: Manufactured in USA		544057-101
	2	ATEX: Manufactured in Germany		544057-102
7		Screw, Set, #6-32 x 1/4"	2	643243-403
8		Label:		
		UL/CSA	1	543195-200
		BASEEFA:		
		ATEX: Manufactured in USA	1	544056-201
		ATEX: Manufactured in Germany	1	544056-202
9	1	Gasket, Cover	1	013403-200
10	4, 5	Housing	1	Consult the Factory
11		Key, Stator:		
		For Aluminum Stators	1	542821-203
		For Stainless Steel Stators	1	544115-201
12	1	Nut, Castle, #10-32, UNF-2B	2	643729-401
13		Nut, 1/4"-20, UNC-2B	2	060060-001
14	2	O-Ring		641069-474
15		Pin, Cotter, 1/16 x 1-1/4"	2	645457-402
16		Ring, Deflector (stainless steel):		
		Unidirectional	1	541685-213
		Bidirectional	2	543054-213
17	1	Rotor Assembly:		
		Standard (525 pulses/bbl)	1	544442-193
	5	High Resolution (1,050 pulses/bbl)	1	544442-194
18		Bearing, Rotor	1	541455-213
19		Screw, #10-32 x 1/4"	1	009544-401
20	2	Screw, Set, #1/2-20 x 1/4" (two per deflector ring)		645690-402
21		Shaft, Rotor	1	544129-201
22		Stator, Downstream	1	542373-212
23		Stator, Upstream		
		Unidirectional and Bidirectional	1	542373-212

Item	Note	Description	Quantity	Part Number
24		Stud (BASEEFA version only)	1	550773-001
25		Washer, Inverted (BASEEFA version only)	1	550770-001
26		Washer, 1/4" Lock (BASEEFA version only)	1	006621-001
27	1	Washer, Thrust	2	543851-213

Internal Parts Kits

Note	Description	Part Number
	Unidirectional, Standard Resolution	544608-103
	Bidirectional, Standard Resolution	544608-104
5	Unidirectional, High Resolution (1,050 pulses/bbl)	544608-123
5	Bidirectional, High Resolution (1,050 pulses/bbl)	544608-124

Notes

Note	Description
1	Recommended stock
2	Order quantity required
3	Indicates revision since last issued
4	Consult the factory at 1 (814) 898-5000 and provide the following information: <ul style="list-style-type: none"> 1. Uni or bidirectional 2. Housing material 3. Flange material 4. Flange class (pressure) 5. Flange type 6. Number of pickup coil bosses 7. Standard or high resolution rotor assembly
5	Due to an engineering change, when replacing a high resolution rotor assembly or internal parts kit in a meter manufactured prior to July of 1990 (Date Code KG), it may be necessary to replace the housing also to achieve proper repeatability. Contact the factory with any questions.

Technical Support

Contact Information:

Field Service Response Center

24/7 Technical Support/Schedule

a Technician: 1-844-203-4014

System Installation Supervision,

Start-Up, Training, and

Commissioning Services Available

The specifications contained herein are subject to change without notice and any user of said specifications should verify from the manufacturer that the specifications are currently in effect. Otherwise, the manufacturer assumes no responsibility for the use of specifications which may have been changed and are no longer in effect.

USA Operation
1602 Wagner Avenue
Erie, Pennsylvania 16510 USA
P:+1 814.898.5000

Germany Operation
Smith Meter GmbH
Regentstrasse 1
25474 Ellerbek, Germany
P:+49 4101 304.0