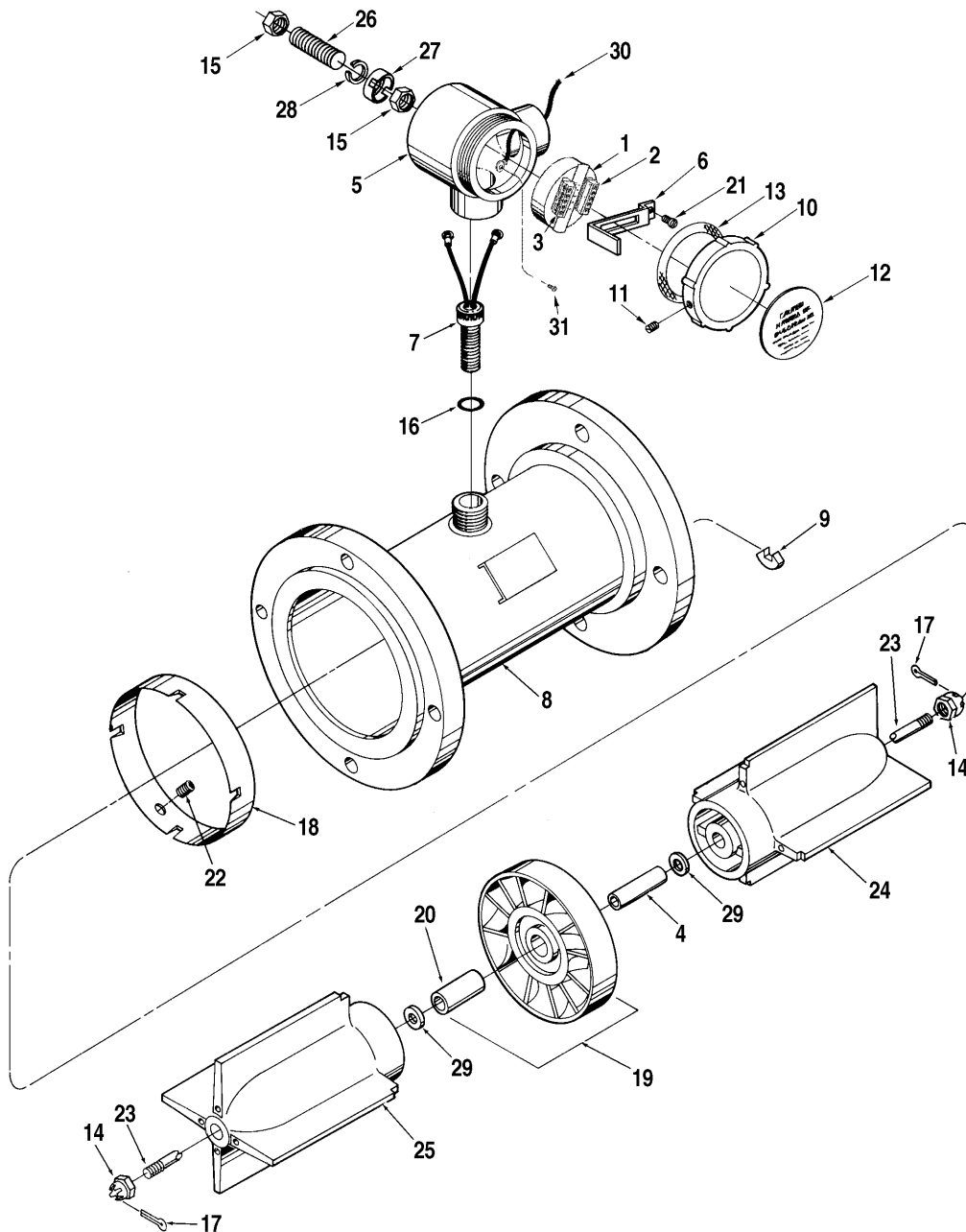


6" Sentry Series Turbine Meter

Bulletin PO02015 Issue/Rev. 0.1 (9/24)



For meters manufactured prior to August 1976, consult the factory.

Item	Note	Description	Quantity	Part Number
1	1	Preamplifier:		
	2	PA-6, 12 to 24 VDC		230663-101
2	2	Connector, (1 to 5)		645030-452
3	2	Connector, (6 to 10)		645030-453
4	1	Bearing, Platform	1	541454-212
5	2	Box, Conduit		543256-200
6		Clip, Retaining	1	543192-203
7	1	Coil, Pickup:		
	2	-100 to 225 °F		644327-401
	2	-100 to 400 °F (high temperature version)		Consult the Factory
	2	Mating connector with leads (high temperature version)		Consult the Factory
8	1, 4	Housing	1	Consult the Factory
9		Key, Stator	1	544115-202
10		Cover, Conduit Box:		
	2	UL/CSA		543196-100
	2	ATEX: Manufactured in USA		544057-101
	2	ATEX: Manufactured in Germany		544057-102
11	2	Screw, Set, #6-32 x 1/4"		643243-403
12		Label:		
	2	UL/CSA		543195-200
	2	ATEX: Manufactured in USA		544056-201
	2	ATEX: Manufactured in Germany		544056-202
13	1, 2	Gasket, Cover		013403-200
14	1	Nut, Castle, 5/16-18, UNF-2B	2	643729-401
15	2	Nut, 1/4"-20, UNC-2B (ATEX version only)		060060-001
16	2	O-Ring		641069-474
17		Pin, Cotter, 1/16 x 1-1/4"	2	645457-402
18		Ring, Deflector (stainless steel):		
		Unidirectional	1	541685-212
		Bidirectional	2	543054-212
19	1	Rotor Assembly:		
		Standard (1,050 pulses/bbl)	1	544440-193
	5	High Resolution (2,100 pulses/bbl)	1	544440-194
20		Bearing, Rotor	1	541455-212
21	2	Screw, #10-32 x 1/4"		009544-401
22	2	Screw, Set, #10-32 x 3/16" (two per deflector ring)		645690-401
23		Shaft, Rotor	1	544114-201
24		Stator, Downstream (stainless steel)	1	542364-211
25		Stator, Upstream (stainless steel):		
		Unidirectional	1	542363-211
		Bidirectional	1	542364-211
26	2	Stud (ATEX version only)		550773-001
27	2	Washer, Inverted (ATEX version only)		550770-001
28	2	Washer, 1/4" Lock (ATEX version only)		006621-001

Item	Note	Description	Quantity	Part Number
29	1	Washer, Thrust	2	543851-212
30	2	Ground Wire (UL/CSA version only)		544058-101
31	2	Screw, #10-32 x 1/4" (UL/CSA version only)		006110-002

Internal Parts Kits

Note	Description	Part Number
	Unidirectional, Standard Resolution	544606-103
	Bidirectional, Standard Resolution	544606-104
5	Unidirectional, High Resolution (2,100 pulses/bbl)	544606-123
5	Bidirectional, High Resolution (2,100 pulses/bbl)	544606-124

Notes

Note	Description
1	Recommended stock
2	Order quantity required
3	Indicates revision since last issued
4	Consult the factory at 1 (814) 898-5000 and provide the following information: <ul style="list-style-type: none"> 1. Uni or bidirectional 2. Housing material 3. Flange material 4. Flange class (pressure) 5. Flange type 6. Number of pickup coil bosses 7. Standard or high resolution rotor assembly
5	Due to an engineering change, when replacing a high resolution rotor assembly or internal parts kit in a meter manufactured prior to July of 1990 (Date Code KG), it may be necessary to replace the housing also to achieve proper repeatability. Contact the factory with any questions.

Technical Support

Contact Information:

Field Service Response Center

24/7 Technical Support/Schedule

a Technician: 1-844-203-4014

System Installation Supervision,

Start-Up, Training, and

Commissioning Services Available

The specifications contained herein are subject to change without notice and any user of said specifications should verify from the manufacturer that the specifications are currently in effect. Otherwise, the manufacturer assumes no responsibility for the use of specifications which may have been changed and are no longer in effect.

USA Operation
1602 Wagner Avenue
Erie, Pennsylvania 16510 USA
P:+1 814.898.5000

Germany Operation
Smith Meter GmbH
Regentstrasse 1
25474 Ellerbek, Germany
P:+49 4101 304.0