

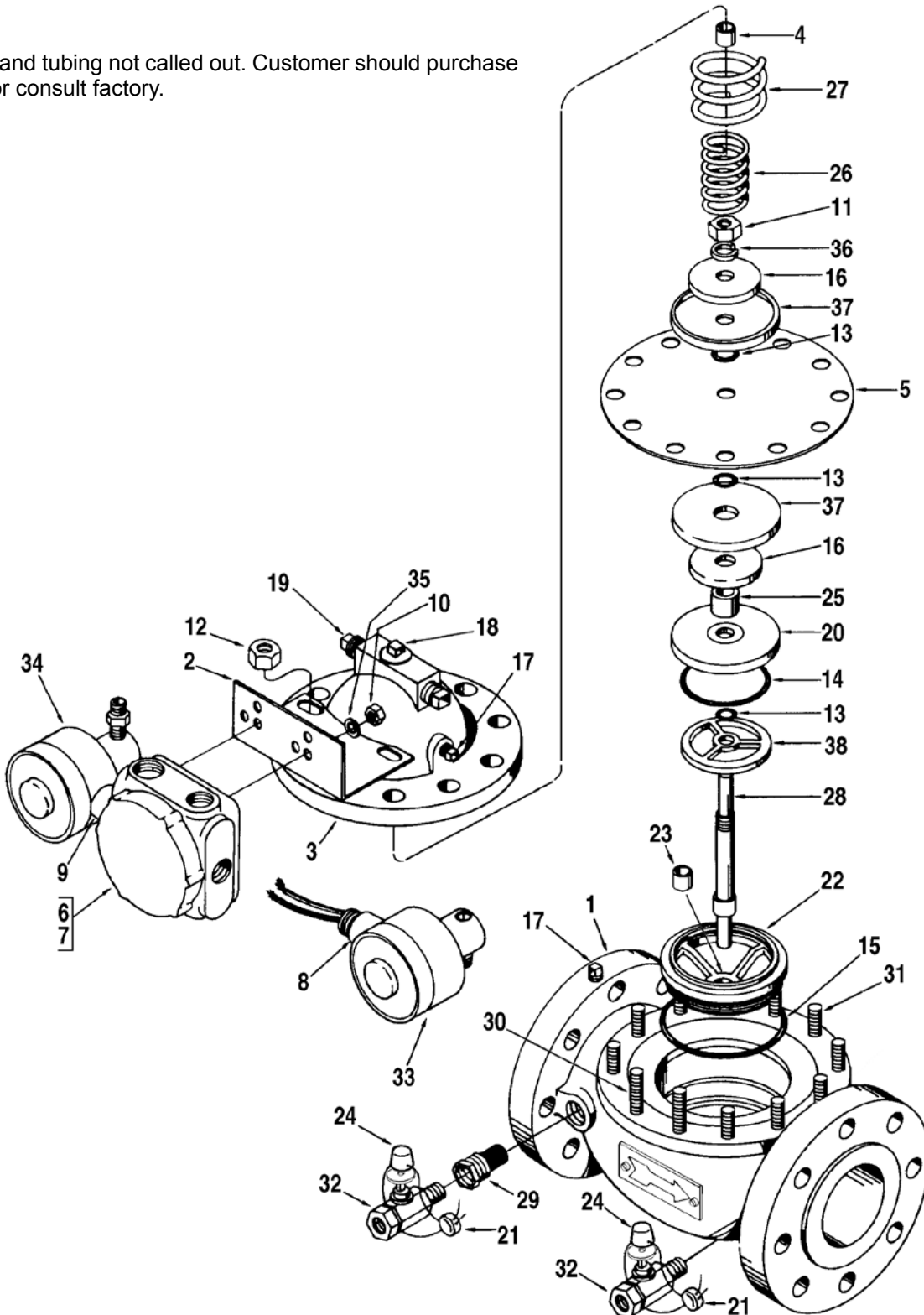
Smith Meter® Valve and Line
Accessories

Valve, Control, Model 210, 6-Inch

Parts List Bulletin PO03016 || Issue/Rev 0.0 (7/13)



Fittings and tubing not called out. Customer should purchase locally or consult factory.



Item	Description	Qty.	Part Number
1	Body:		
	Steel, 150#	1	528705-001
	Steel, 300#	1	528801-001
2	Bracket:		
	Solenoids with Junction Box.....	1	528452-001
	* Required with Optional Pilots	1	528453-001
3	Cover, Steel.....	1	528765-004
4	†Bearing	1	529675-004
5	+ Diaphragm:		
	Buna-N	1	507400-001
	Low Swell Buna	1	507400-009
	Viton-A.....	1	507400-002
6	Junction Box Kit.....	1	528497-002
7	Junction Box.....	1	528454-001
8	Nipple, 1/2" x 2-1/2".....	1	002522-400
9	Nipple, 1/2" x 3-1/2".....	1	004605-400
10	Nut, 5/16"-18, UNC-2B.....	2	002876-400
11	Nut, Stem, 7/8"-14, UNF-2B.....	1	643756-403
12	Nut, Stud, 5/8"-11, UNC-2B	14	006309-400
13	+ O-Ring, Diaphragm:		
	Buna-N	3	640887-009
	Viton	3	640798-420
14	+ O-Ring, Retainer:		
	Low Swell Buna.....	1	507573-008
	Viton	1	507573-003
15	+ O-Ring, Seat:		
	Buna-N	1	641136-403
	Viton	1	643313-401
16	Plate, Backup	2	528847-001
17	Plug, Pipe, 1/8" NPT.....	3	644522-401
18	Plug, Pipe, 3/4" NPT.....	3	006878-002
19	Plug, Pipe, 1/2" NPT.....	2	006505-002
20	Retainer, O-Ring, Ductile Iron	1	524174-004
21	Seal, Lead and Wire.....	2	001627-400
22	@2 Seat, Stainless Steel	1	528380-101
23	†Bearing, Ni-Resist	1	529675-004
24	Shell	2	643706-401
25	Spacer, Steel.....	1	528845-001
26	Spring	1	525355-001
27	Spring, Dropover	1	529466-001
28	Stem	1	528844-001
29	+ Strainer, Model 09SC	1	528342-002
30	Stud, Bracket, 5/8 – 11 x 3"	2	643823-423
31	Stud, Cover, 5/8 – 11 x 2 1/4".....	10	643823-422
32	R Valve, Needle, Model 13:		
	1/2" NPT Carbon Steel	2	643710-402
	1/2" NPT Stainless Steel.....	2	641109-404
33	@1 Valve, Solenoid, Model 30A N.C.	1	See Note
34	@1 Valve, Solenoid, Model 30B N.O.	1	See Note
35	Washer, Lock.....	2	002917-400
36	Washer, Lock Spring	1	643164-407
37	Washer, Diaphragm, Stainless Steel	2	528848-006
38	Washer, O-Ring, Ductile Iron.....	1	508040-003

- + Recommended stock.
- # Order quantity required.
- R Indicates change since last revision.
- * Not illustrated.
- @1 When ordering, the following information is required:
 1. Electrical Requirements (Volts/Hz or DC).
 2. Catalog Number displayed on the name plate of the solenoid,
or
 3. Log Number displayed on the nameplate of the valve body.
- @2 Ni-Resist bearing is pressed into cover and seat, then reamed to size.

† Bearing may need reaming once pressed into cover or seat.

Technical Support

Contact Information:

Field Service Response Center

24/7 Technical Support/Schedule

a Technician: 1-844-203-4014

System Installation Supervision,

Start-Up, Training, and

Commissioning Services Available

The specifications contained herein are subject to change without notice and any user of said specifications should verify from the manufacturer that the specifications are currently in effect. Otherwise, the manufacturer assumes no responsibility for the use of specifications which may have been changed and are no longer in effect.

USA Operation
1602 Wagner Avenue
Erie, Pennsylvania 16510 USA
P:+1 814.898.5000

Germany Operation
Smith Meter GmbH
Regentstrasse 1
25474 Ellerbek, Germany
P:+49 4101 304.0