



GUIDANT

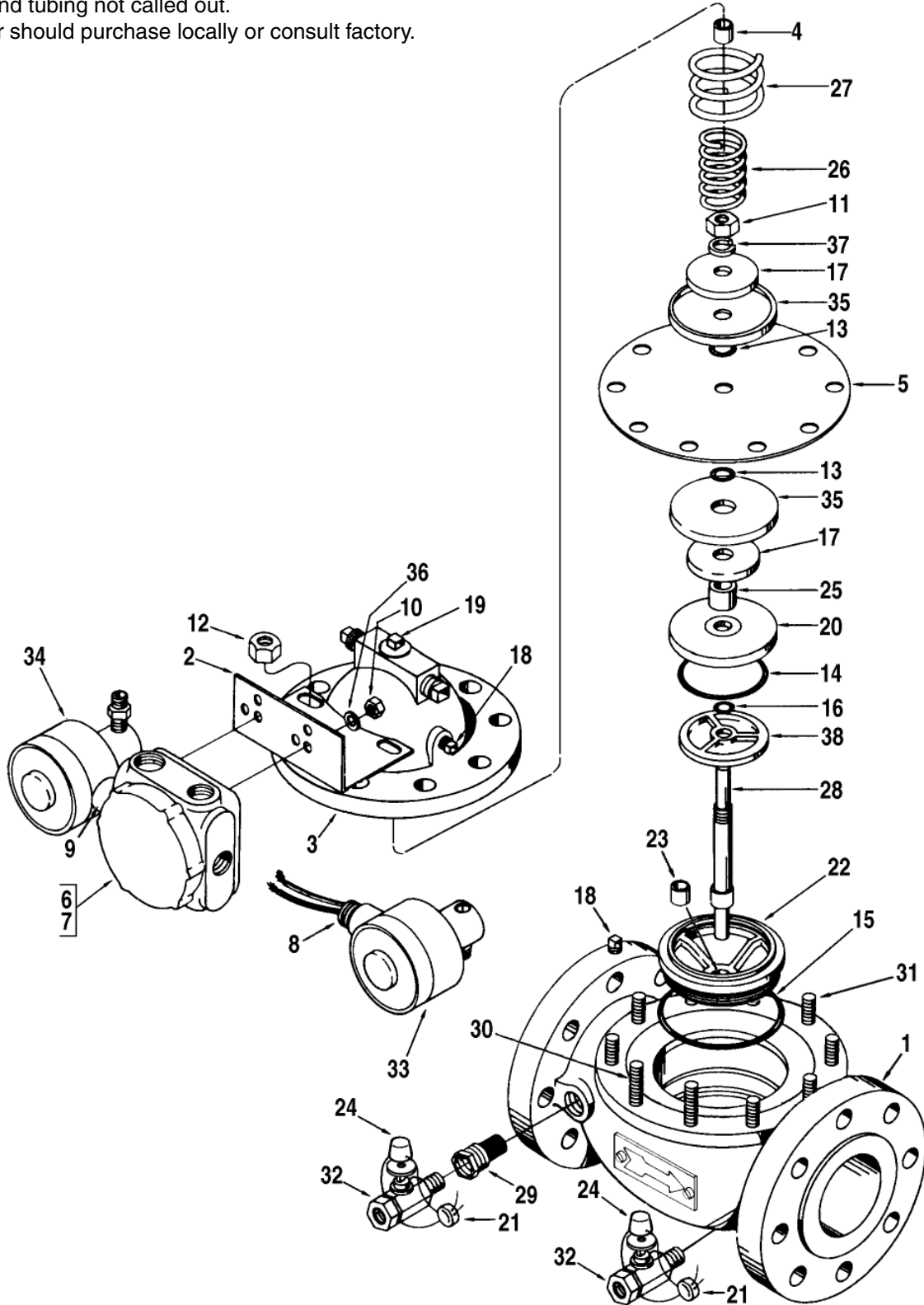
Issue/Rev. 0.1 (9/12)

Valve and Line Accessories

**Valve, Control,
Model 210, 4 Inch
Parts List**

Bulletin PO03005

Fittings and tubing not called out.
Customer should purchase locally or consult factory.



Item	Description	Qty.	Part Number
1	Body, Steel, 150#	1	529971-001
2	Bracket, Solenoids with Junction Box.....	1	528452-001
3	@2 Cover, Steel with Ni-Resist Bearing.....	1	529972-101
4	† Bearing, Cover, Ni-Resist	1	529531-003
5	+ Diaphragm:		
	Current Design (10 Stud Holes):		
	L.S Buna.....	1	507399-012
	Buna	1	507399-013
	Viton	1	507399-011
	Previous Design (8 Stud Holes):		
	L.S. Buna	1	507399-009
	Buna	1	507399-001
	Viton	1	507399-002
6	Junction Box Kit:.....	1	528496-002
7	Junction Box	1	528454-001
8	Nipple, 1/2" x 1-1/8".....	1	009630-400
9	Nipple, 1/2" x 2"	1	642557-418
10	Nut, 5/16"-18, UNC-2B	2	002876-400
11	Nut, Stem, 5/8"-18, UNF-2B.....	1	643756-402
12	Nut, Stud:		
	Current Design – 5/8-11", UNC-2B	12	006309-400
	Previous Design – 1/2-13"	10	006415-400
13	+ O-Ring, Diaphragm:		
	Buna-N.....	2	640887-418
	Viton.....	2	640798-416
14	+ O-Ring, Retainer:		
	Low Swell Buna	1	507571-008
	Viton.....	1	507571-003
15	+ O-Ring, Seat:		
	Buna-N.....	1	640887-422
	Viton.....	1	640798-434
16	+ O-Ring, Stem:		
	Buna-N.....	1	640913-005
	Viton.....	1	641276-405
17	Plate, Backup, Steel	2	528659-001
18	Plug, Pipe, 1/8" NPT, Hex. Head	3	644522-401
19	Plug, Pipe, 1/2" NPT, Hex. Head	3	006505-002
20	Retainer, O-Ring, Ductile Iron	1	507705-004
21	Seal, Lead and Wire	2	001627-400
22	@2 Seat, Stainless Steel with Ni-Resist Bearing.....	1	528406-101
23	† Bearing, Seat, Ni-Resist	1	529531-008
24	Shell	2	643706-401
25	Spacer, Steel.....	1	524198-004
26	Spring.....	1	525351-003
27	Spring, Dropover	1	529464-001
28	Stem, Stainless Steel	1	528658-001
29	+ Strainer, Model 09SC	1	528341-002
30	Stud, Bracket:		
	Current Design – 5/8-11 x 3".....	2	643823-423
	Previous Design – 1/2-13 x 2-3/4"	2	643823-409
31	Stud, Cover:		
	Current Design – 5/8-11" x 2-1/4"	8	643823-422
	Previous Design – 1/2-13 x 2"	6	643823-410

Item		Description	Qty.	Part Number
32	R	Valve, Needle, Model 13: 3/8" NPT Carbon Steel	2	643710-401
		3/8" NPT Stainless Steel	2	641109-403
33	@1	Valve, Solenoid, N.C. Model 30A.....	1	See Note
34	@1	Valve, Solenoid, N.O. Model 30B.....	1	See Note
35		Washer, Diaphragm, Stainless Steel	2	528660-007
36		Washer, Lock.....	2	002917-400
37		Washer, Lock Spring	1	643164-406
38		Washer, O-Ring	1	508038-003

+ Recommended stock.

R Indicates change since last revision.

@1 When ordering, the following information is required:

1. Electrical Requirements (VOLTS/Hz or DC).
2. Valve Catalog Number displayed on the nameplate of the solenoid,
or
3. Log Number displayed on the nameplate of the main valve body flange.

@2 Ni-Resist bearing included with cover or seat.

† Bearing may need reaming once pressed into cover or seat.

Technical Support

Contact Information:

Field Service Response Center

24/7 Technical Support/Schedule

a Technician: 1-844-203-4014

System Installation Supervision,

Start-Up, Training, and

Commissioning Services Available

The specifications contained herein are subject to change without notice and any user of said specifications should verify from the manufacturer that the specifications are currently in effect. Otherwise, the manufacturer assumes no responsibility for the use of specifications which may have been changed and are no longer in effect.

USA Operation
1602 Wagner Avenue
Erie, Pennsylvania 16510 USA
P:+1 814.898.5000

Germany Operation
Smith Meter GmbH
Regentstrasse 1
25474 Ellerbek, Germany
P:+49 4101 304.0